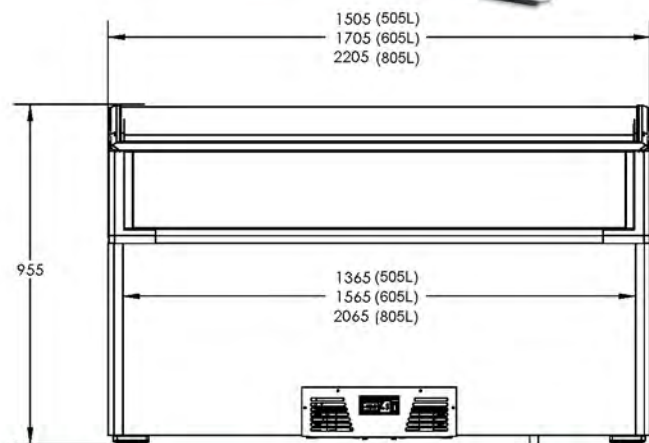
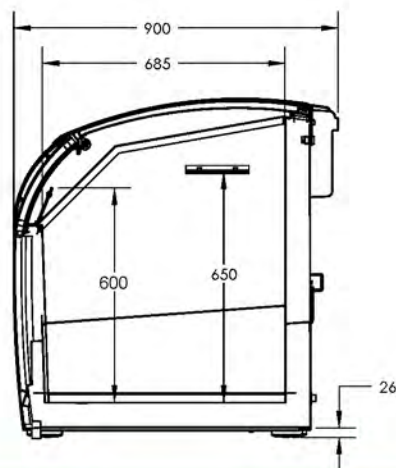


Aran

Aran with Lift Up Curved Glass Lid

505L / 605L / 805L



| Lift Up Curved Glass Lid | | 505L | 605L | 805L |
|----------------------------------|---------|-------------------------|-------------------------|-------------------------|
| Capacity (Gross / Net) | litre | 556 / 480 | 660 / 570 | 810 / 742 |
| External Dimension (L / D / H) | mm | 1505 / 900 / 955 | 1705 / 900 / 955 | 2205 / 900 / 955 |
| Internal Dimension (L / D / H) | mm | 1365 / 685 / 650 | 1565 / 685 / 650 | 2065 / 685 / 650 |
| Climate type | Class | Class 3L1 | Class 3L1 | Class 3L1 |
| Temperature Range | °C | -18°C to -23°C | -18°C to -23°C | -18°C to -23°C |
| (Available on Request) | | 0°C to 5°C (0°C to 2°C) | 0°C to 5°C (0°C to 2°C) | 0°C to 5°C (0°C to 2°C) |
| Refrigerant | Type | R404A | R404A | R404A |
| Load Line Level (Front / Rear) | mm | 600 / 650 | 600 / 650 | 600 / 650 |
| Voltage Supply EU | V/Hz | 220 / 240 V / 50 Hz | 220 / 240 V / 50 Hz | 220 / 240 V / 50 Hz |
| Nominal Power Consumption | W | 410 | 410 | 790 |
| Energy Consumption* | Kwh/24h | 6.9 | 7.4 | 10.8 |
| Weight (Gross / Net) | kg | 167 / 134 | 185 / 152 | 203 / 170 |

* Novum Efficiency Controller fitted (1) R290 model available on request (2) Auto Defrost available on all Novum models. Energy consumption increases on average by 0.65 Kw