



ASF SERIES:- UPRIGHT STORAGE FREEZER SERIES



ASF Series

FEATURES:

- Austwide's ASR range of upright storage freezers feature bottom mounted condensers for ergonomic usage and cooler running conditions.
- Operating Temperature -16° to -23° C @ 32° C. Climate Class 4.
- Only requires one standard power point (GPO):- 240V 50Hz 10 amp.
- Digital Temperature Display.
- 4 height adjustable shelves per door. Individual shelves behind each door maximize storage configurations.
- Stainless steel doors and outer sides. With powder coated aluminium inner walls and clear anodized aluminium outer back.
- Stainless steel internal floor with coved corners allows for easy cleaning and sanitizing.
- Extra Large 125mm castors, for ease of cabinet movement.
- Solid Lockable Doors. Designed with recessed handle and self closing hinging with 90° dwell feature.
- Interior lighting
- One piece door gaskets, removable without tools for easy cleaning.
- Automatic energy efficient hot gas condensate disposal. No drainage required.

MAIN DATA

Specifications are subject to change without notice. E&OE.

Model	Doors	Net Volume (L)	Shelves	Height (mm)	Width (mm)	Depth (mm)	Voltage	Amps	Cord Length	Shipping Weight
ASF680	1	584	4	2095	736	818	240v/50hz	3.84	2.4	165kg
ASF1370	2	1170	8	2095	1371	818	240v/50hz	5.81	2.4	235kg
ASF2055	3	1881	12	2095	2054	818	240v/50hz	7.17	2.4	304Kg

Head Office: Unit 1/35 Rimfire Drive ,Hallam, Vic 3803. Phone: 1800 813 987 Fax: 03 8786 3572
 Email: sales@austwiderentals.com websites: www.austwidesales.com.au or austwiderentals.com

ASF:- UPRIGHT STORAGE FREEZER SERIES

Specification

- **Shelves:** 4 adjustable, PVC coated, steel shelves per door.
- **Construction:** 430 Stainless Steel doors, front, inner tray and sides provide a clean and dent resistant cabinet. Clear anodized aluminium back. Interior white powder coated aluminium for hygienic easy to clean surfaces.
- **Insulation:** 60mm high density polyurethane foam, Blowing agent, Cyclopentane for CFC free Ozone protection and superior insulating properties.
- **Lighting:** Interior lights activated by rocker switches mounted above each door.
- **Door:** 60mm high pressure injected polyurethane foam. Designed with recessed handle provides easy access.
- **Gasket:** PVC welded one piece magnetic gasket. Removable without tools for easy cleaning.
- **Hinging:** Self closing with 90° dwell open.

- **Electrical:** Units come ready for connection to 240volt 50hz 10amp GPO. Single Outlet. It is recommended that a dedicated GPO be used.
- **Electronic Controller:** Italian designed and Manufactured, Carel temperature controller. Fitted with 30amp external compressor relay.
- **Refrigeration System:** Fully balanced self-contained condensing unit with forced draught evaporator.
- **Compressor:** ASR's equipment is fitted with EMBRACO compressors, the world leader in domestic and light commercial compressors.
- **Refrigerant:** R404A.
- **Defrost:** Timed forced electric defrost. Utilizing no-cost hot gas condensate disposal.
- **Evaporator:** Epoxy coated to minimize the potential of corrosion and thus future gas leaks.
- **Castors:** 125mm heavy duty castors.

Front locking.

- Digital Temperature readout.
- Locks to each door
- **Warranty¹:** Austwide's Manufacturers warranty 12 month parts and labour.

Options:

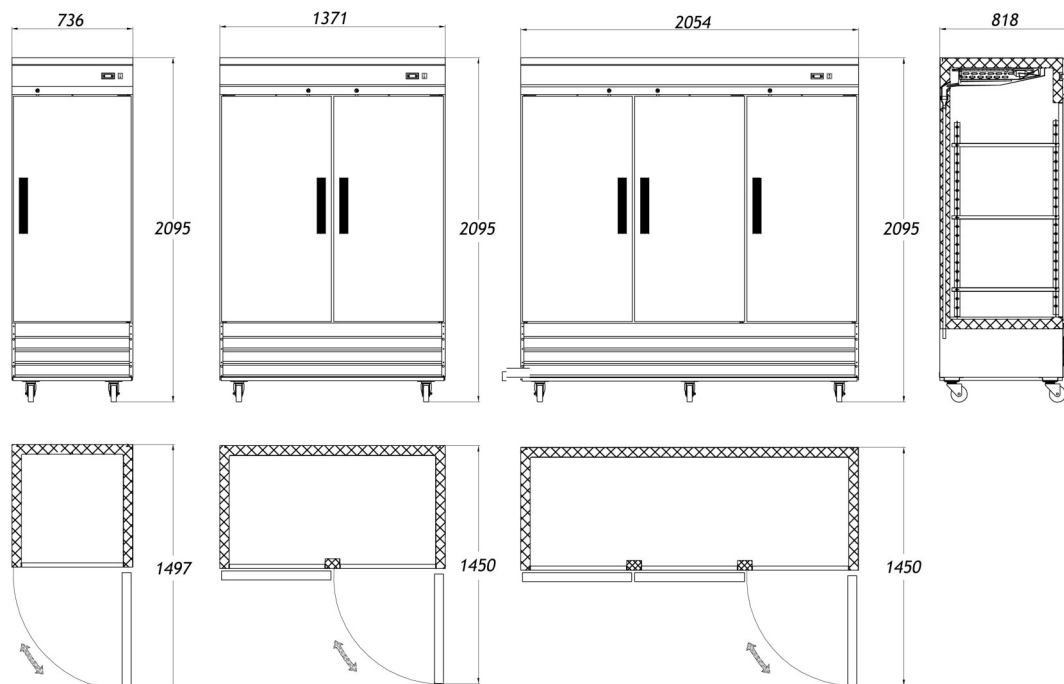
- 6" legs.
- 304 Stainless steel construction. (non stock items).

Outstanding Benefits

Optimal product placement: The ASF Series lifts the product off the floor, placing it in the optimal position for your staff to easily reach in and retrieve without the need to bend down excessively.

Bottom Mounted Condensing unit: The ASF Series places the condenser in the coolest position, close to the floor, putting less strain on the refrigeration system thus providing longer life and greater energy efficiency.

ELEVATIONS. (not to scale)



Head Office: Unit 1/35 Rimfire Drive ,Hallam, Vic 3803. Phone: 1800 813 987 Fax: 03 8786 3572
Email: sales@austwiderentals.com websites: www.austwidesales.com.au or austwiderentals.com